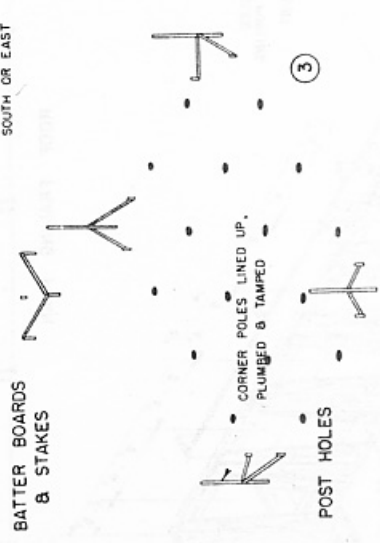


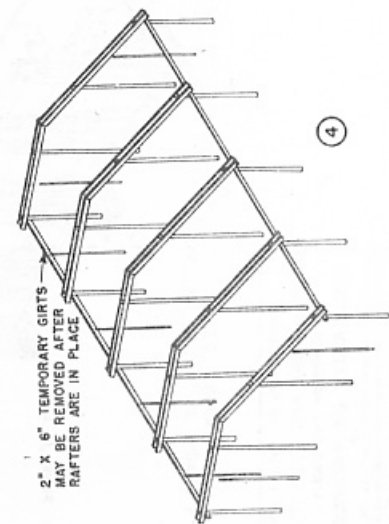
PLAN TO SUIT OPERATION

BATTER BOARDS & STAKES

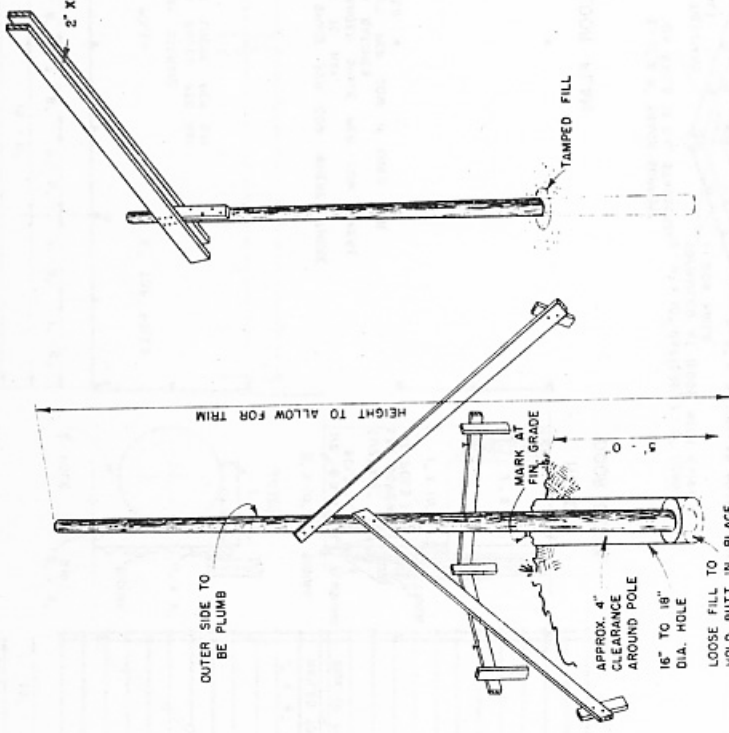


CORNER POLES LINED UP, PLUMBED & TAMPED

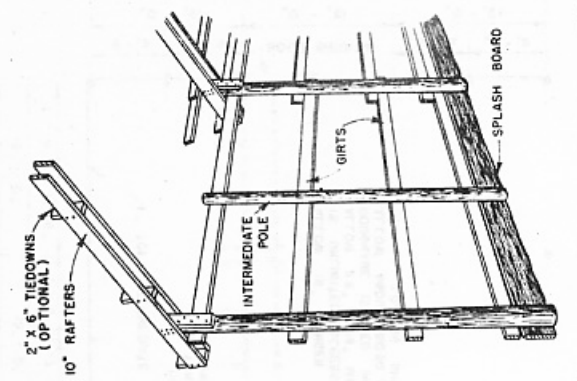
POST HOLES



2" X 6" TEMPORARY GIRTS MAY BE REMOVED AFTER RAFTERS ARE IN PLACE



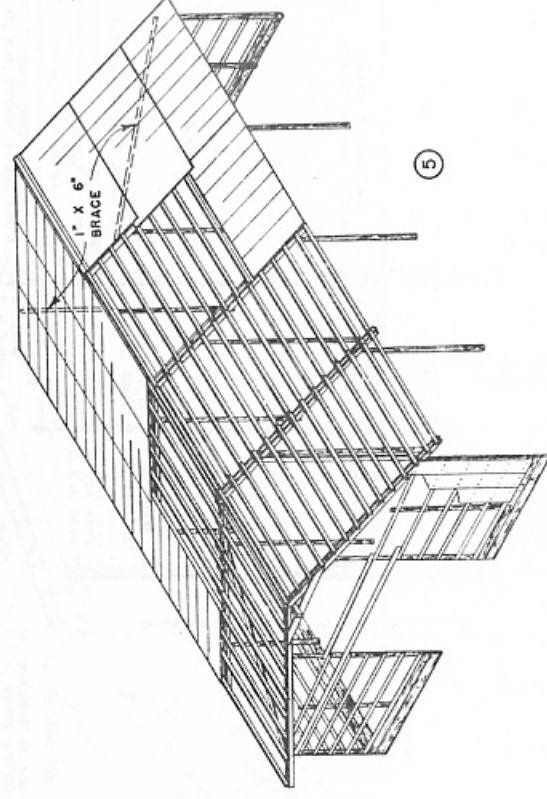
POST HOLE & BRACED POLE



POLES, RAFTERS, PURLINS & GIRTS

NOTE
ALL POLES & SPLASH BOARDS TO BE PRESSURE-TREATED WITH PRESERVATIVE.

POLE & RAFTERS



PURLINS, GIRTS, ROOFING & SIDING

NOTE

THIS BUILDING IS DESIGNED FOR AREAS OF THE SOUTHERN UNITED STATES WHERE THE SNOW LOAD DOES NOT EXCEED 10⁰ PER SQ. FT. & WIND DOES NOT EXCEED 88 MI. PER HOUR. IN A FEW AREAS, SUCH AS NORTHERN VIRGINIA & WESTERN KENTUCKY WHERE SNOW LOADS EXCEED 10⁰ PER SQ. FT., 2" X 10" RAFTERS SHOULD BE USED INSTEAD OF THE 2" X 10" RAFTERS SHOWN & PURLINS SHOULD BE SPACED 16" O.C. INCREASE NUMBER OF 30d NAILS IN RAFTER TO POLE CONNECTIONS 50%. IT SHOULD NOT BE USED IN OTHER AREAS WITHOUT REDESIGNING FRAMING TO MEET LOCAL CONDITIONS.

NOTE

THIS BARN MAY BE BUILT IN ANY LENGTH DESIRED IN UNITS OF 15'-0"

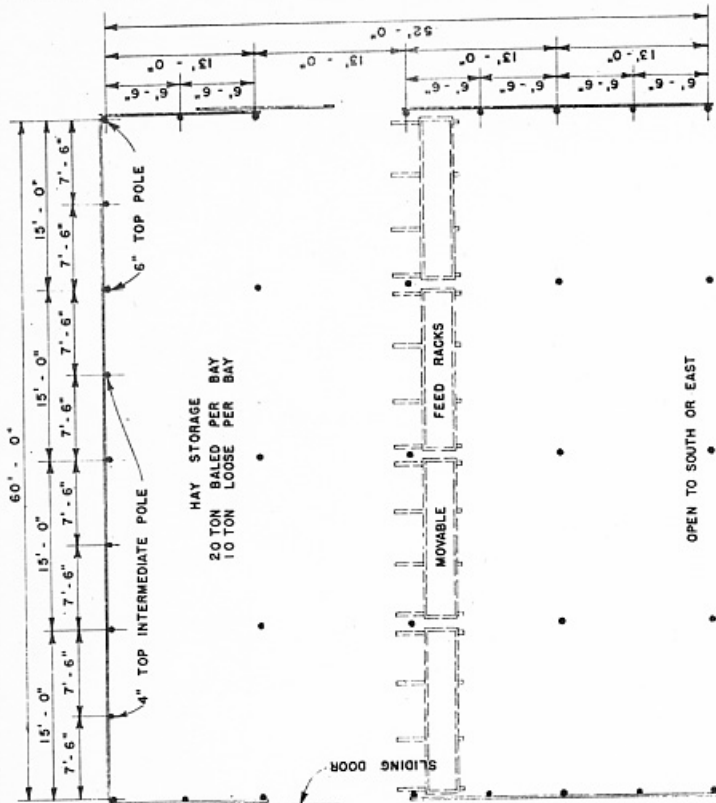
5

4

ERECTION OF BALANCE OF POLES & RAFTERS

COOPERATIVE EXTENSION WORK IN AGRICULTURE AND HOME ECONOMICS
STATE OF TENNESSEE
UNIVERSITY OF TENNESSEE
UNIT DEVELOPED BY DEPARTMENT OF AGRICULTURAL ENGINEERING

POLE BARN
USDA 54 1 5780 SHEET 1 OF 3



FLOOR PLAN

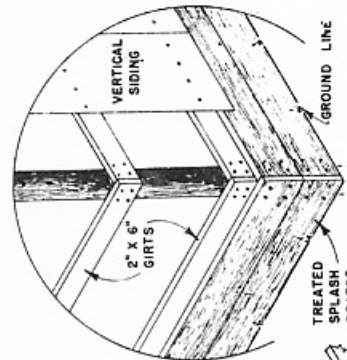
NOTE:

ROOFING: PURLIN SPACING NOT TO EXCEED 2'-0" FOR 1/2" 2 1/2" CORRUGATED ALUM. OR 26 GA 2 1/2" CORRUGATED GALVANIZED STEEL. SIDE LAP SHEETS AT LEAST 1 1/2" CORRUGATIONS. END LAPS 6" MIN. USE 2 1/2" CORRUGATED RIDGE ROLL. LUMBER NOMINAL ALLOWABLE FIBER STRESS - 1500 PSI FOR PURLINS, 1200 PSI FOR RAFTERS. IF METAL SIDING IS USED, NAILING GIRTS TO BE SPACED TO CONFORM TO MANUFACTURERS DIRECTIONS.

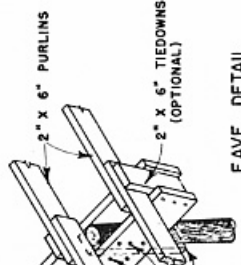
COOPERATIVE EXTENSION WORK IN AGRICULTURE AND HOME ECONOMICS STATE OF TENNESSEE UNIVERSITY OF TENNESSEE AND AGRICULTURE COOPERATING UNITED STATES DEPARTMENT OF AGRICULTURE

POLE BARN 52' WIDE

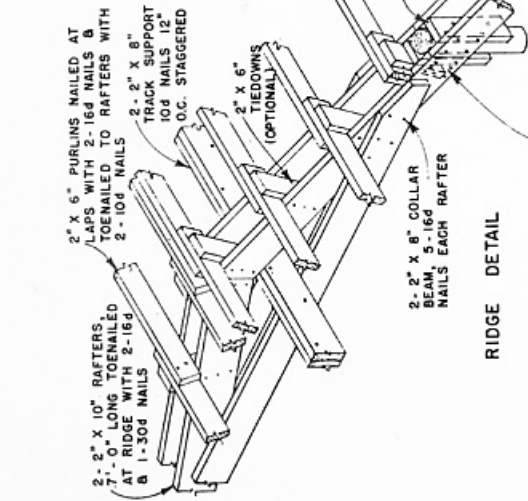
USDA '54 EX. 5780 SHEET 3 OF 3



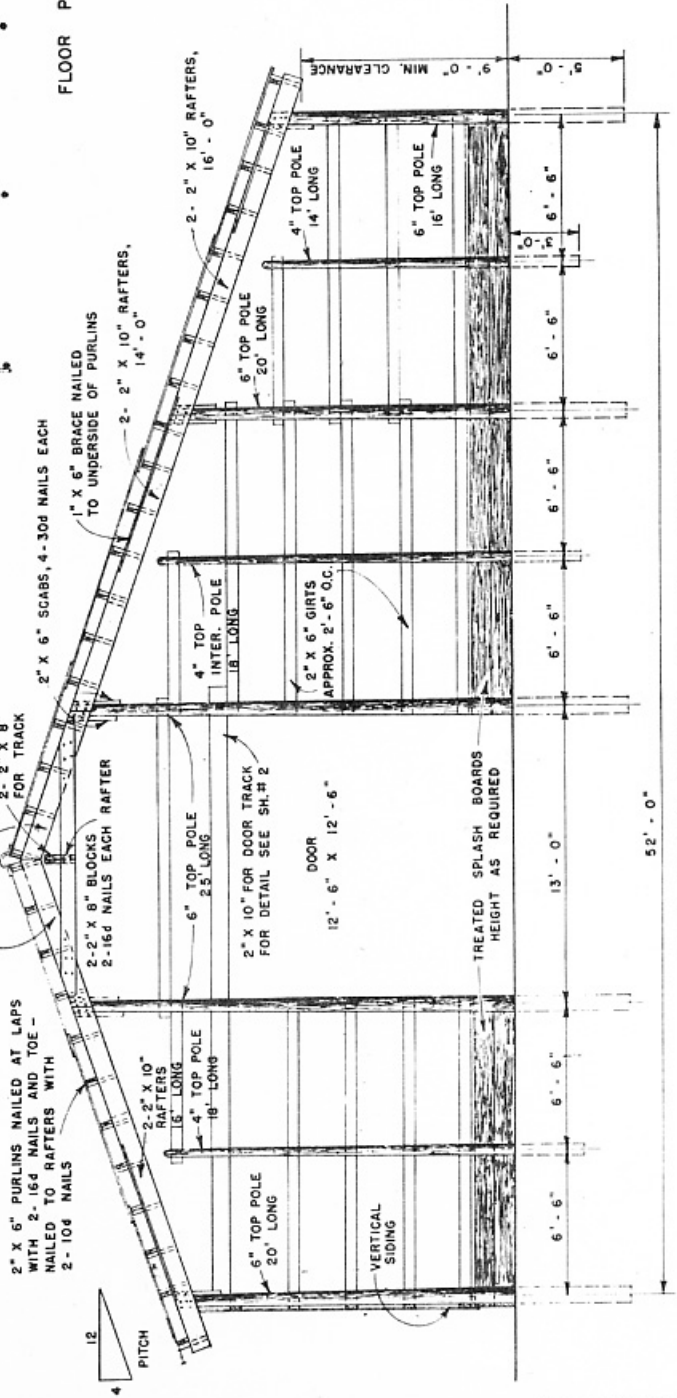
CORNER DETAIL



EAVE DETAIL



RIDGE DETAIL



CROSS SECTION SHOWING END WALL FRAMING