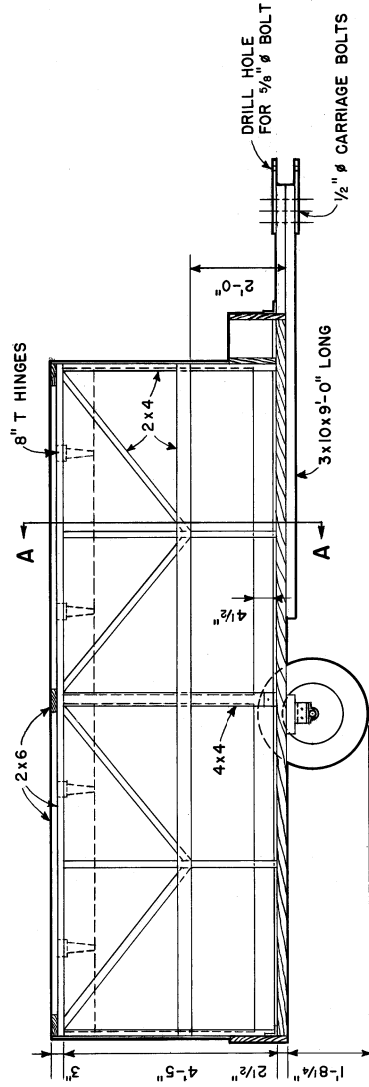
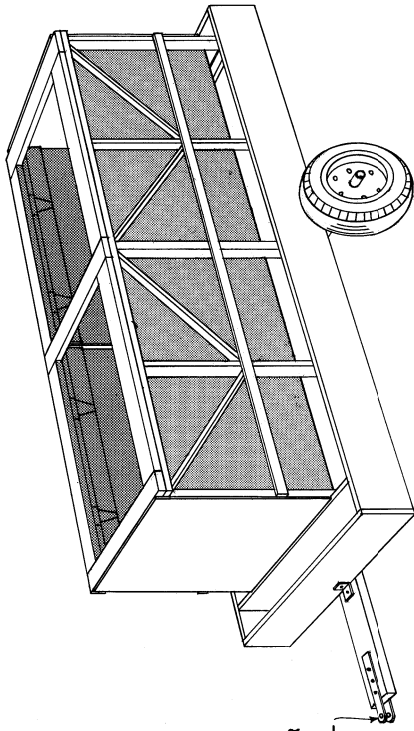


TOP VIEW OF BED FRAME

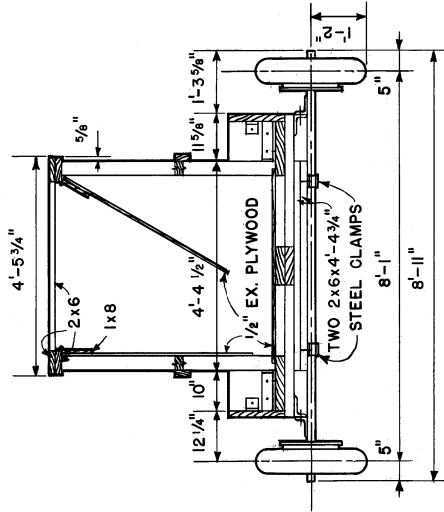


SIDE VIEW WITH THE 2x14 BOARD OFF



PERSPECTIVE

CONSTRUCTION DETAILS MAY BE MODIFIED TO USE LUMBER AT HAND. JOINTS SHOULD BE WELL NAILED. BOLT THE METAL ANGLE IRON. THIS CONSTRUCTION CAN BE ADAPTED FOR TRAILER MOUNTING, SKIDS, OR PERMANENT, IN-PLACE FEEDERS.



SECTION A-A

COOPERATIVE EXTENSION WORK IN AGRICULTURE AND HOME ECONOMICS
STATE OF TENNESSEE
UNIVERSITY OF TENNESSEE
AND
UNITED STATES DEPARTMENT OF AGRICULTURE COOPERATING

SELF-FEEDER FOR CATTLE

ORE. '68 EX. 6045 SHEET 1 OF 1