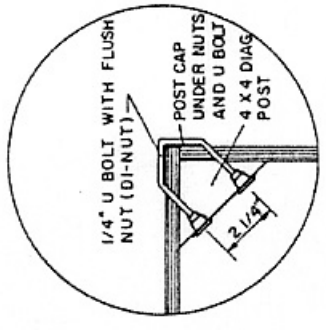
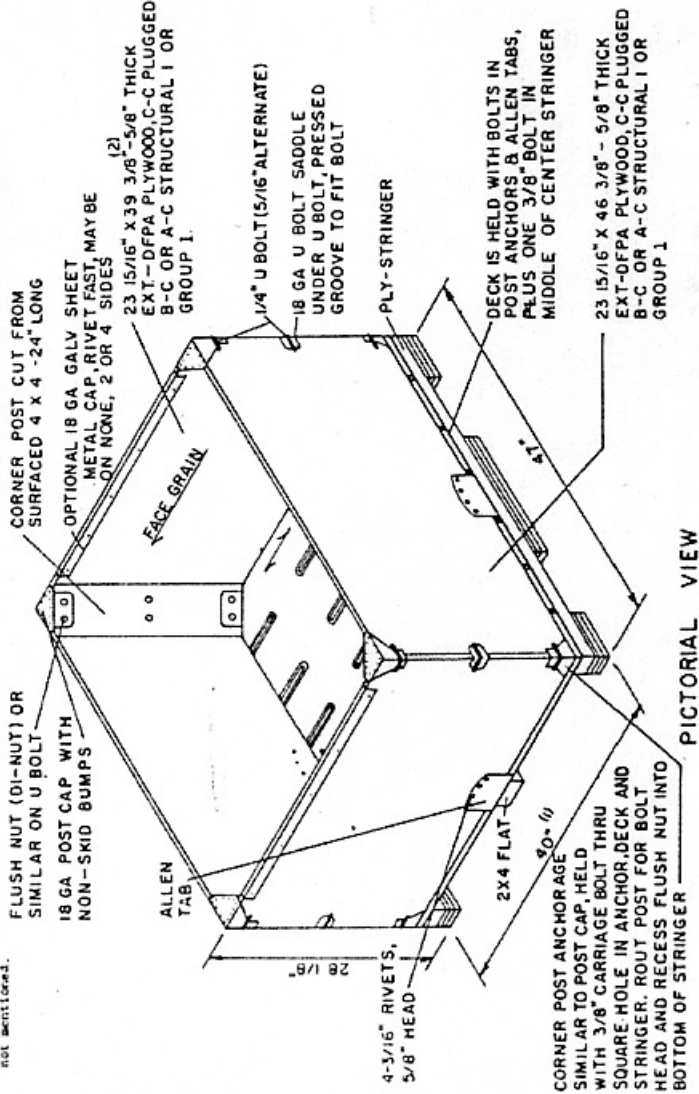
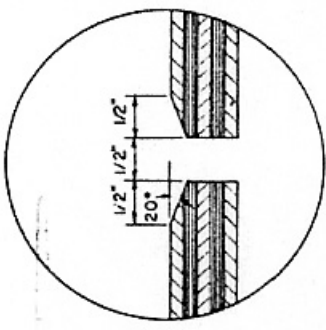


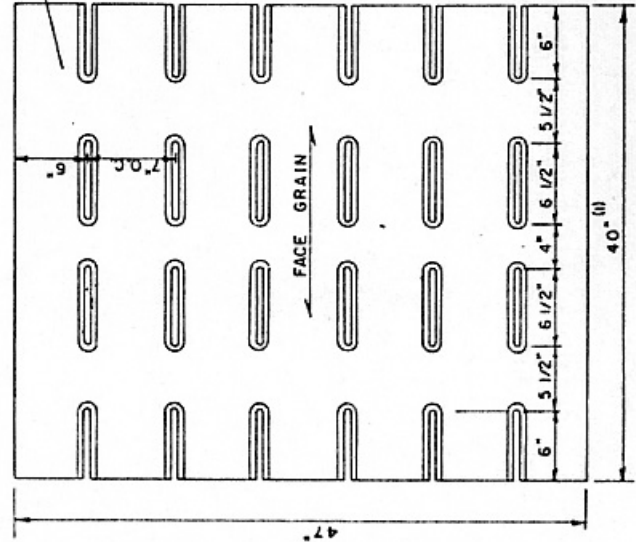
This design is based on the use of American Plywood Association Grade-Trademarked plywood. Structural deficiencies may result with the substitution of materials. Because erection of the structure cannot be supervised no liability can be assumed by the designer or the American Plywood Association. Mention of a trade name does not constitute a guarantee or warranty of the product by the U.S. Department of Agriculture or an endorsement by the Department over other products not mentioned.



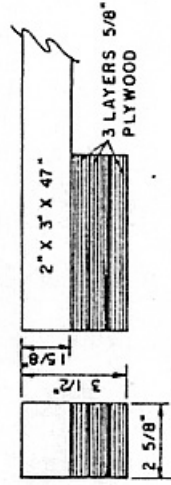
CORNER POST



SECTION THRU SLOT *

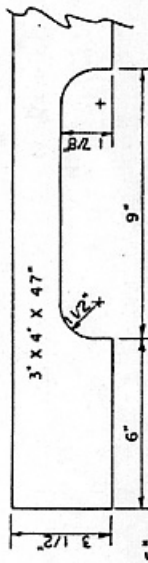


BOTTOM DETAIL *



PLY - STRINGER

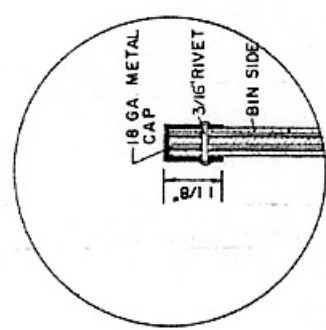
END BLOCKS ARE 6" X 2 5/8" X 1 7/8" THICK. CENTER BLOCK 17" X 2 5/8" X 1 7/8" THICK. BLOCKS CONSIST OF 3 LAYERS OF 5/8" EXT-DFFPA PLYWOOD FASTENED TO 2 X 3 WITH 10d RING SHANK NAILS AND BY BOLTS FASTENING BIN BOTTOM TO STRINGERS.



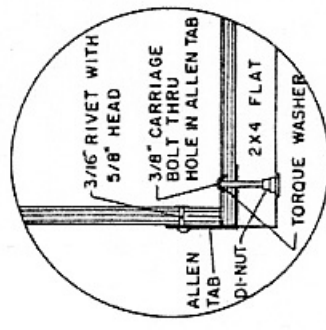
ALTERNATE STRINGER

(1) REDUCE TO 39.25" TO CONFORM TO ASAE S 337.
 (2) REDUCE TO 38.625" TO CONFORM TO ASAE S 337.

* SOME BOTTOMS MANUFACTURED WITH 7 ROWS OF SLOTS. SLOTS 5/8" WIDE, PROVIDE TOTAL OPEN AREA OF 109 SQ IN. CENTER TO CENTER DISTANCE OF SLOTS AND CENTER TO EDGE SPACING IS THEN 3 7/8".



TOP EDGE CAP



STRINGER END

NOTE: THE SIZE OF THIS BIN IS SUCH THAT IT WILL FIT ON FLATBED TRUCKS, IN CLOSED VANS AND REFRIGERATED RAILROAD CARS. WITH ONE DIMENSION 47" IT CAN BE HANDLED IN MOST AUTOMATIC BIN HANDLING EQUIPMENT NOW BEING BUILT TO HANDLE THE STANDARD 47" X 47" BIN. THE INSIDE DEPTH OF 24" IS THE ACCEPTED STANDARD FOR MOST FRUIT AS DETERMINED BY UNIVERSITY RESEARCH.

DESIGNED TO CONFORM TO AMERICAN SOCIETY OF AGRICULTURAL ENGINEERS' RECOMMENDED INDUSTRY-WIDE STANDARDS FOR AUTOMATED HANDLING EQUIPMENT ASAE S 337.

COOPERATIVE EXTENSION WORK IN AGRICULTURE AND HOME ECONOMICS	
STATE OF TENNESSEE	
UNIVERSITY OF TENNESSEE	
AGRICULTURAL ENGINEERING DEPARTMENT	
UNITED STATES DEPARTMENT OF AGRICULTURE COOPERATING	
PALLET BIN	
47" X 40"	
APA '71	6120
SHEET 1 OF 1	