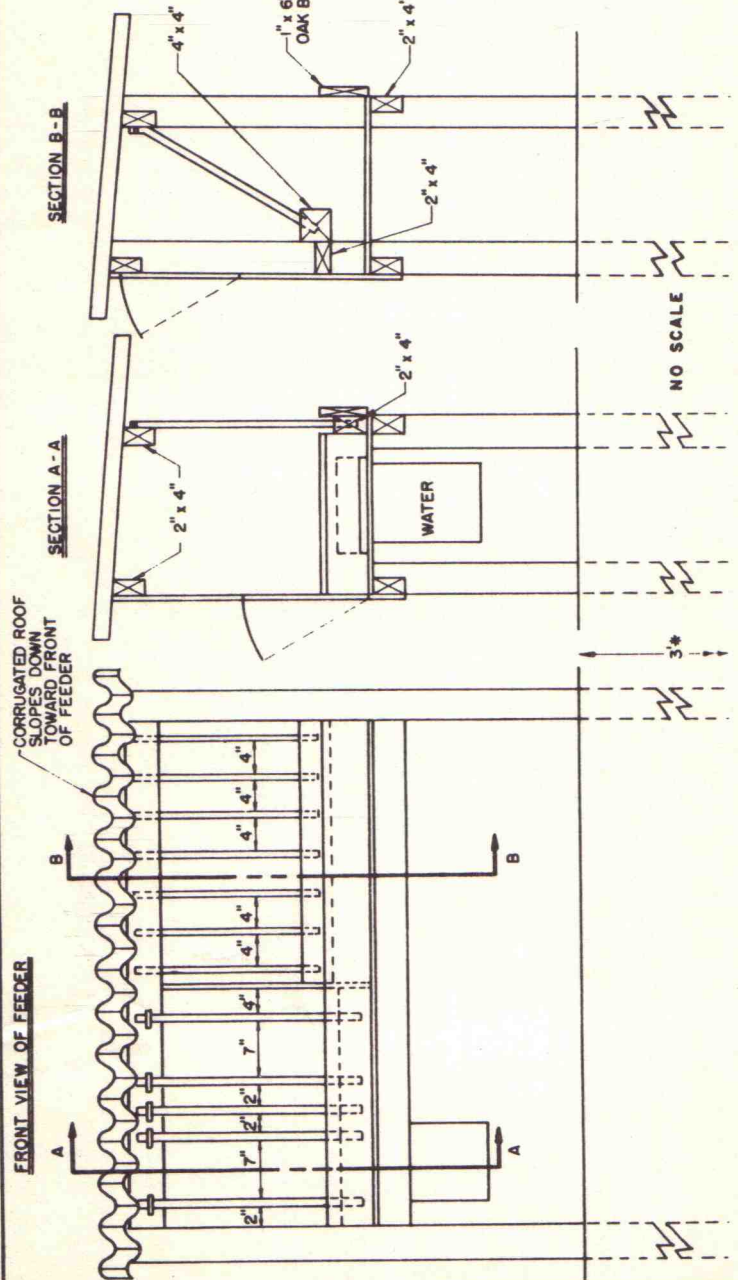


BACK VIEW OF FEEDER (REAR COVERING OMITTED FOR CLARITY)



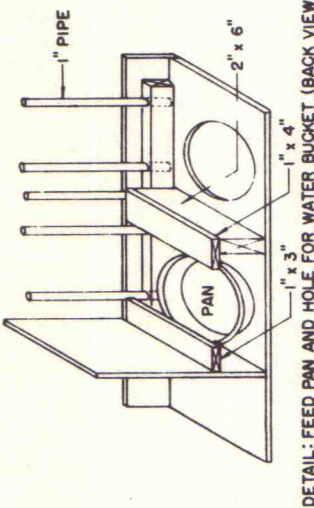
CORRUGATED ROOF SLOPES DOWN TO REAR FRONT OF FEEDER

FRONT VIEW OF FEEDER

SECTION A-A

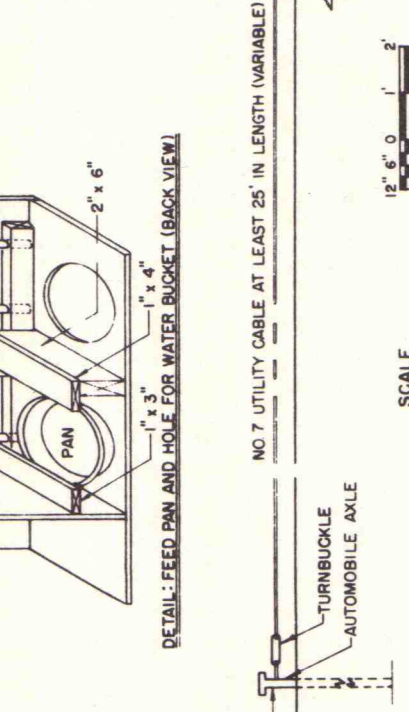
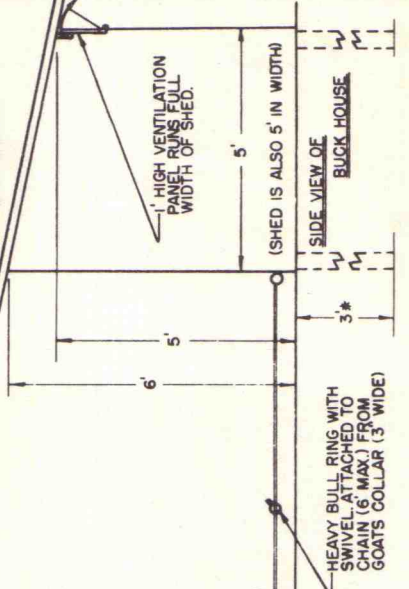
SECTION B-B

NO SCALE



DETAIL: FEED PAN AND HOLE FOR WATER BUCKET (BACK VIEW)

BUCK HOUSE ENCLOSED (3 SIDES) WITH AIR TIGHT SIDING (PLYWOOD, SLABWOOD, OR EQUIVALENT)



NO. 7 UTILITY CABLE AT LEAST 25' IN LENGTH (VARIABLE)

TURNBUCKLE
AUTOMOBILE AXLE

HEAVY BULL RING WITH SWIVEL ATTACHED TO CHAIN (6" MAX.) FROM GOATS COLLAR (3" WIDE)



SCALE

BACK VIEW OF FEEDER

SIDE VIEW OF FEEDER

FEEDER: BACK AND SIDES ARE ENCLOSED WITH 5/8 PLYWOOD

NOTES: ALL EXPOSED WOOD EDGES SHOULD BE COVERED WITH PROTECTIVE METAL OR HARDWARE CLOTH

USE PIPE CLAMPS OR TINNERS TAPE TO ATTACH TOP ENDS OF PIPE ALONG HAY RACK AND FEED AREA.

NOTE: CONSULT LOCAL HEALTH AND BUILDING CODE AUTHORITIES BEFORE STARTING CONSTRUCTION

* DEPTH OF SUPPORT POSTS SHOULD BE 3" MINIMUM OR BELOW THE FROST LINE

COOPERATIVE EXTENSION WORK IN AGRICULTURE AND HOME ECONOMICS
STATE OF TENNESSEE
UNIVERSITY OF TENNESSEE
AGRICULTURAL ENGINEERING DEPARTMENT
AND
UNITED STATES DEPARTMENT OF AGRICULTURE COOPERATING

BUCK GOAT YARD
PA. '78 6300 SHEET 1 OF 1

BASED ON: PENN. STATE UNIV. PLAN NO. 728-392