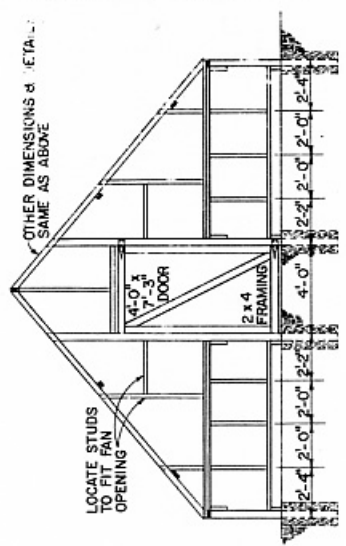
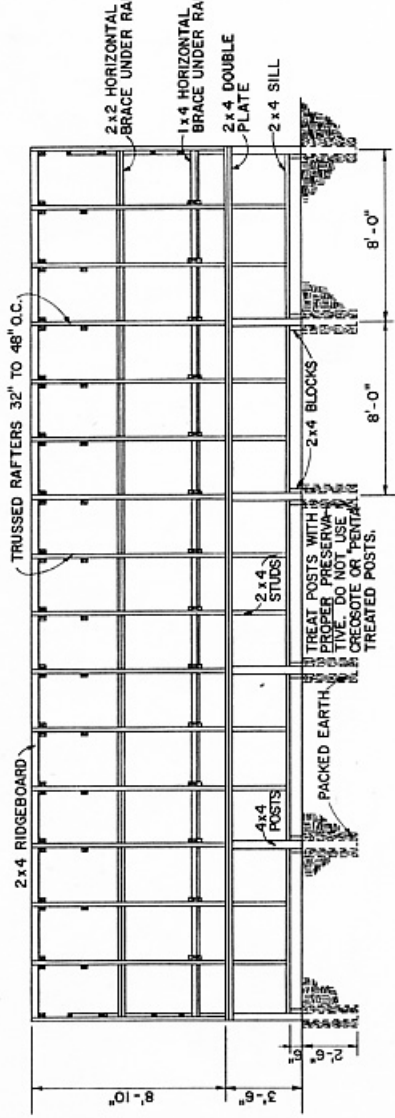


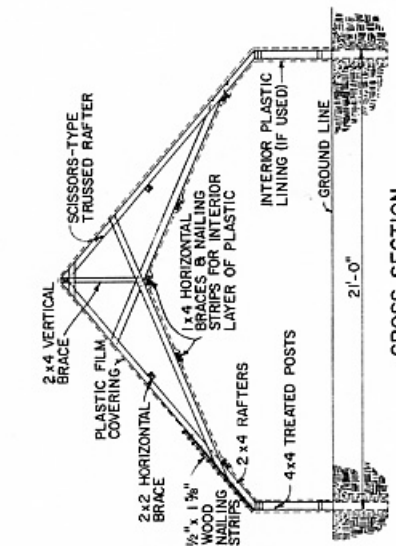
END VIEW OF FRAMING



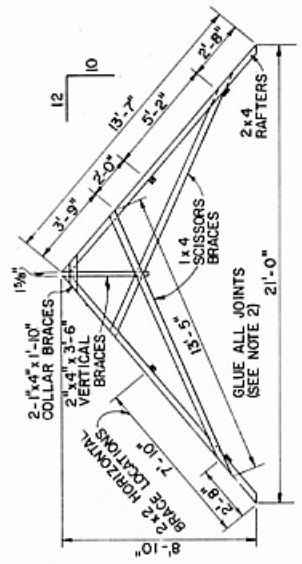
ALTERNATE END VIEW



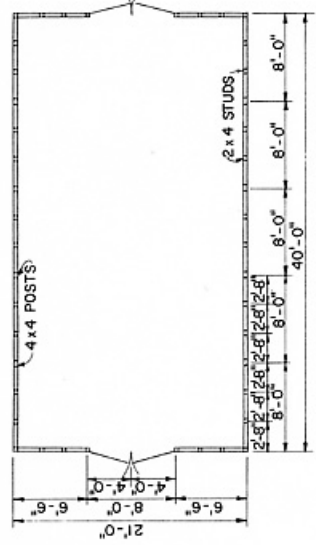
SIDE VIEW OF FRAMING



CROSS SECTION



RAFTER DETAIL



FLOOR PLAN

SCALE  
1/2" = 1'-0"

- NOTES:
- IF 30" FAN FRAMES ARE TOO LARGE FOR OPENING PROVIDED, LOWER PLATE AND MOVE STUD AS REQUIRED, OR USE THREE 24" FANS AND PLACE ONE IN GABLE OVER DOORS, OR MAKE DOORS NARROWER. (ALSO SEE ALTERNATE END VIEW OF FRAMING.)
  - ALL JOINTS GLUED (USE A GOOD WATERPROOF WOOD GLUE) AND NAILED WITH 6-PENNY GALVANIZED SERRATED NAILS.
  - CONSULT LOCAL HEALTH AND BUILDING CODE AUTHORITIES BEFORE STARTING CONSTRUCTION.



UNLESS OTHERWISE NOTE.

COOPERATIVE EXTENSION WORK IN  
AGRICULTURE AND HOME ECONOMICS  
UNIVERSITY OF TENNESSEE  
AGRICULTURAL ENGINEERING DEPARTMENT  
AND  
UNITED STATES DEPARTMENT OF AGRICULTURE COOPERATING

GREENHOUSE  
SCISSORS TRUSS  
VA. '78 6311 SHEET 1 OF 1