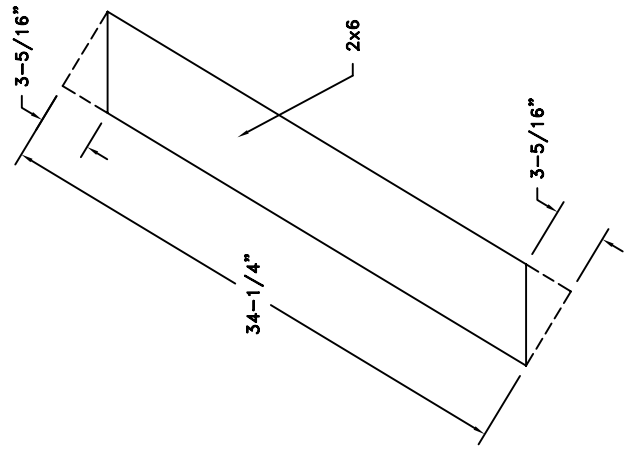
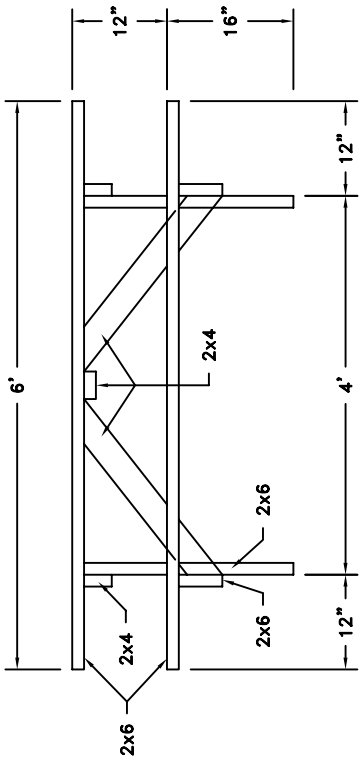


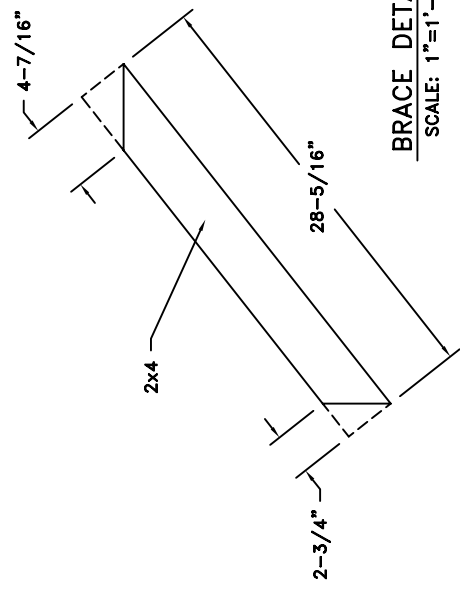
**END VIEW**  
SCALE: 1/2"=1'-0"



**LEG DETAIL**  
SCALE: 1"=1'-0"



**SIDE VIEW**  
SCALE: 1/2"=1'-0"



**BRACE DETAIL**  
SCALE: 1"=1'-0"

NOTE:  
ALL LUMBER TO BE DRESSED  
AND PRESSURE TREATED.

COOPERATIVE EXTENSION WORK IN  
AGRICULTURE AND HOME ECONOMICS  
STATE OF TENNESSEE  
THE UNIVERSITY OF TENNESSEE  
AGRICULTURAL AND MECHANICAL COLLEGE  
AND  
UNITED STATES DEPARTMENT OF AGRICULTURE COOPERATING

PICNIC  
TABLE

TENN 30-MAY-94 SHEET 1 OF 1  
GFG PLAN NO. T4147