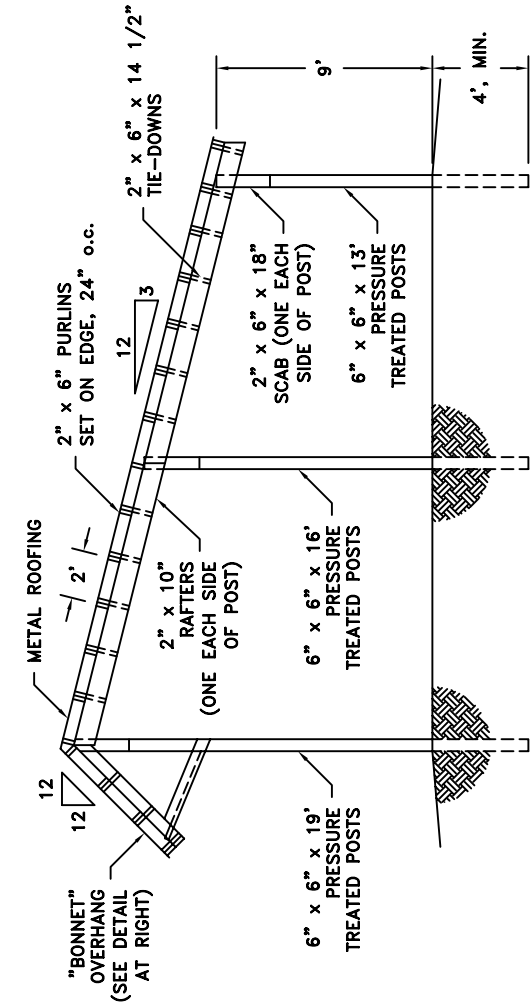


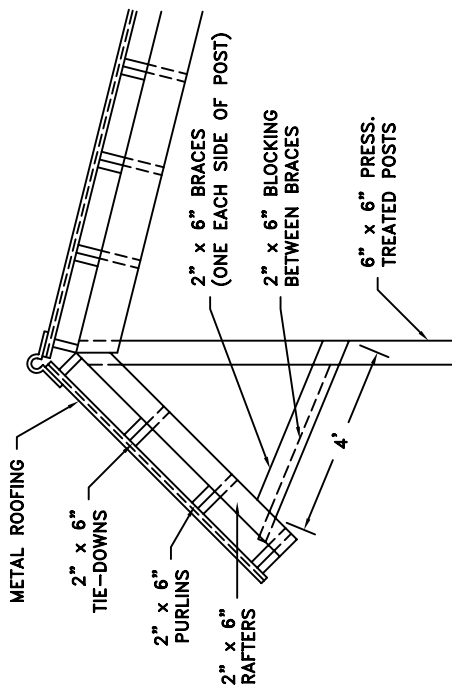
PLAN

SCALE: 3/32"=1'-0"



CROSS SECTION

SCALE: 1/8"=1'-0"



"BONNET" DETAIL

SCALE: 1/4"=1'-0"

COOPERATIVE EXTENSION WORK IN
AGRICULTURE AND HOME ECONOMICS
STATE OF TENNESSEE
THE UNIVERSITY OF TENNESSEE
INSTITUTES OF AGRICULTURE AND MECHANICAL ENGINEERING
UNITED STATES DEPARTMENT OF AGRICULTURE COOPERATING

MACHINERY STORAGE
(TOOL SHED)

TENN 23-OCT-97 SHEET 1 OF 1
GFC PLAN NO. T4166